

MODEL	AIS RECEIVER	CLASS-B+ AIS TRANSCEIVER
	FA-40	FA-70

STANDARDS

EN 303 413 V1.1.1, EN 301 843-1 V2.2.1 IEC 60945 Ed.4+CORR.1 IMO MSC.140 (76) ITU-R M.1371-5 IEC 62368-1 Ed.3	DSC: ITU-R M.825-3 IEC 62287-1 Ed.3.0, IEC 62287-2 Ed.2.0, IEC 62311 Ed.1+Ed.2
---------------------------------------------------------------------------------------------------------------------------	-----------------------------------------------------------------------------------

TRANSPONDER UNIT

TX/RX Frequency (FA-40/70: RX Frequency)	
Output Power	FA-40 Receive Only Selectable: 5W or 1W (SO-TDMA), 2W (CS-TDMA)
Channel Spacing	25 kHz

GPS RECEIVER

Receiving Channels	12 channels, SBAS 2 channels, 14 satellites tracking
Rx Frequency	1575.42 MHz
Rx Code	C/A code
Position Accuracy	13 m (2 drms, HDOP <= 4)

INTERFACE

NMEA0183	Input - 2 Ports	ACA, ACK, AIQ, DTM, GBS, GGA, GLL, GNS, HDT, OSD, RMC, SSD, THS, VBW, VSD, VTG	ABM*, ACK, AIQ, BBM*, HDT, SSD, THS, VSD *(ABM, BBM: SO-TDMA only)
	Output - 2 Ports	ABK, ACA, ACS, ALR, GGA, GLL, RMC, SSD, TXT, VDM, VDO, VER, VSD, VTG	
NMEA2000	Input - 1 Port	059392, 059904, 060160, 060416, 060928, 065240, 126208, 127250	
	Output - 1 Port	059392, 059904, 060928, 126208, 126464, 126992, 126993, 126996, 126998, 127258, 129025, 129026, 129029, 129038, 129039, 129040, 129041, 129540, 129792, 129793, 129794, 129795 ¹ , 129796, 129797, 129798, 129800 ² , 129801, 129802, 129803, 129804 ¹ , 129805, 129806, 129807, 129809, 129810, 129811, 129812 ¹ , 129813 ³ ¹ (FA-40/FA-70: SO-TDMA mode only) ² (FA-40: SO-TDMA mode only), ³ (FA-70: SO-TDMA mode only)	

ENVIRONMENT

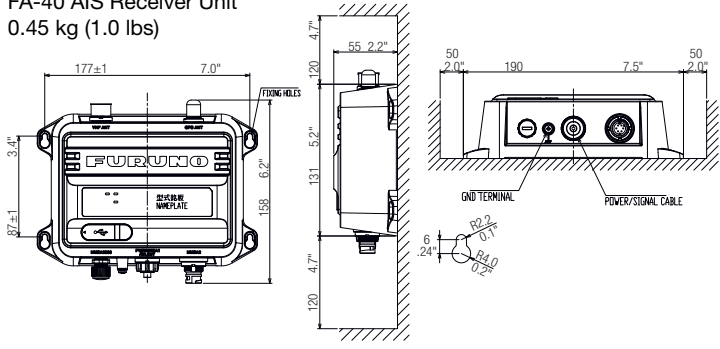
Temperature	Antenna Unit	-25°C to +70°C	
	Other Units	-15°C to +55°C	-15°C to +55°C
Waterproofing	Antenna Unit	IP56	
	Other Units	IP55	

POWER SUPPLY

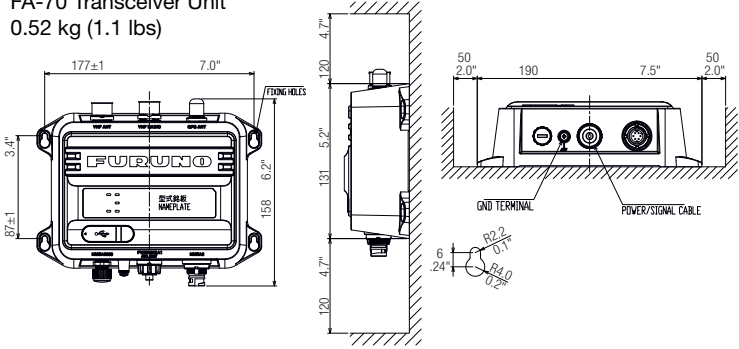
Transponder Unit (FA-40: Receiver Unit)	12-24 VDC, 0.3-0.2 A	12-24 VDC, 1.8-0.9 A
--------------------------------------------	----------------------	----------------------

UNIT DIAGRAMS

FA-40 AIS Receiver Unit
0.45 kg (1.0 lbs)



FA-70 Transceiver Unit
0.52 kg (1.1 lbs)



SPECIFICATIONS SUBJECT TO CHANGE WITHOUT NOTICE

Catalog No. 1-A-20033LB
CA000001428

FURUNO ELECTRIC CO., LTD.
Japan www.furuno.com
FURUNO U.S.A., INC.
U.S.A. www.furunousa.com
FURUNO PANAMA S.A.
Republic of Panama www.furuno.com.pa
FURUNO (UK) LIMITED
U.K. www.furuno.co.uk
FURUNO NORGE A/S
Norway www.furuno.no

FURUNO DANMARK A/S
Denmark www.furuno.dk
FURUNO SVERIGE AB
Sweden www.furuno.se
FURUNO FINLAND OY
Finland www.furuno.fi
FURUNO POLSKA Sp. z o.o.
Poland www.furuno.pl
FURUNO DEUTSCHLAND GmbH
Germany www.furuno.de

FURUNO FRANCE S.A.S.
France www.furuno.fr
FURUNO ESPAÑA S.A.
Spain www.furuno.es
FURUNO ITALIA S.R.L.
Italy www.furuno.it
FURUNO HELLAS S.A.
Greece www.furuno.gr
FURUNO (CYPRUS) LTD
Cyprus www.furuno.com.cy

FURUNO EURUS LLC
Russian Federation www.furuno.ru
FURUNO SHANGHAI CO., LTD.
China www.furuno.com/cn
FURUNO CHINA CO., LTD.
Hong Kong www.furuno.com/cn
FURUNO KOREA CO., LTD
Korea
FURUNO SINGAPORE
Singapore www.furuno.sg

PT FURUNO ELECTRIC INDONESIA
Indonesia www.furuno.id
FURUNO ELECTRIC (MALAYSIA) SDN. BHD.
Malaysia www.furuno.com/my
BEWARE OF SIMILAR PRODUCTS
All brand and product names are trademarks, registered trademarks, or service marks for their respective holders.
SPECIFICATIONS SUBJECT TO CHANGE WITHOUT NOTICE
Printed in U.S.A.

FURUNO

MODEL **FA-40/70**
AIS RECEIVER/CLASS B+ TRANSCEIVER



FA-40 AIS Receiver
FA-70 Class-B+ AIS Transceiver



www.furuno.com



**NMEA2000
Certified**

KEY FEATURES:

- Silent Mode with optional ON/OFF switch
- Compact and light with wider range and faster transmit performance*
- Internal VHF splitter eliminates need for separate antenna*
- Switchable SO-TDMA and CS-TDMA*
- NMEA2000 port, 2x NMEA0183 ports and a USB (micro B) port
- Initial setup can be done through the NMEA2000 network (TZT2/TZT3)

*FA-70 ONLY

MODEL FA-40
AIS RECEIVER/CLASS B+ TRANSMITTER

The FA-40/70 AIS receives the vessel's position and other useful information from Class-B+ AIS that transmits your vessel's position at faster rates than typical Class B units. This guarantees an AIS time slot allocation, reducing the risk of collision.

SUPERBLY ACCURATE INFORMATION EXCHANGE

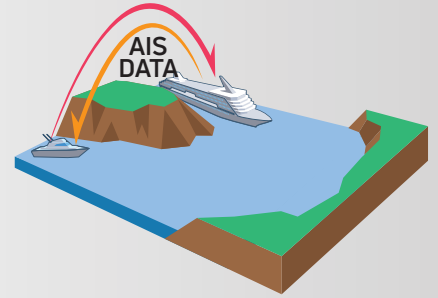
MODEL	DYNAMIC DATA	STATIC DATA	VOYAGE RELATED DATA
FA-40 INFORMATION TO BE RECEIVED	<ul style="list-style-type: none"> • Ship's position • Coordinated Universal Time (UTC) • Course Over Ground (COG) • Speed Over Ground (SOG) • Rate Of Turn (ROT) • Heading • Navigation status 	<ul style="list-style-type: none"> • MMSI (Maritime Mobile Service Identity) • IMO number • Ship's name • Ship's type • Call sign • Length and beam • Location of position-fixing antenna on ship 	<ul style="list-style-type: none"> • Ship's draft • Hazardous cargo • Destination and ETA
FA-70 INFORMATION TO BE RECEIVED AND TRANSMITTED	<ul style="list-style-type: none"> • Ship's position • Coordinated Universal Time (UTC) • Course Over Ground (COG) • Speed Over Ground (SOG) • Rate of Turn (ROT)* • Heading <p>*If transmitted by remote AIS</p>	<ul style="list-style-type: none"> • MMSI (Maritime Mobile Service Identity) • IMO number • Ship's name • Ship's type • Cargo • Call sign • Length and beam • Location of position-fixing antenna on ship 	

VHF/AIS ANTENNA

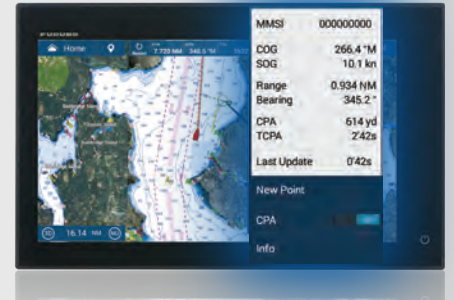
PC
(testing and setup only)



The Automatic Identification System (AIS) improves the safety level of boating by exchanging information about the status of your ship with other AIS-equipped craft nearby.



Simply tap on an AIS target to reveal critical information: Ship's name, COG, SOG, CPA, TCPA, Range and Bearing.



0/70

CLASS B+ TRANSCIVER

AIS targets are fully visible and predictable when interfacing with a compatible Furuno Radar.



Ship name, call sign, position, COG, SOG, and bearing of surrounding vessels. The FA-70 is a Class B+ transceiver that provides vessel information at higher power & range for added awareness. SO-TDMA technology makes you visible in congested waters.

AND SIMPLE SETUP WITH NMEA2000/NMEA0183

